

Use 3" Hole Saw  
For Bottom Outlet Use

1/2" Rebar(#4) & Wire For Staking

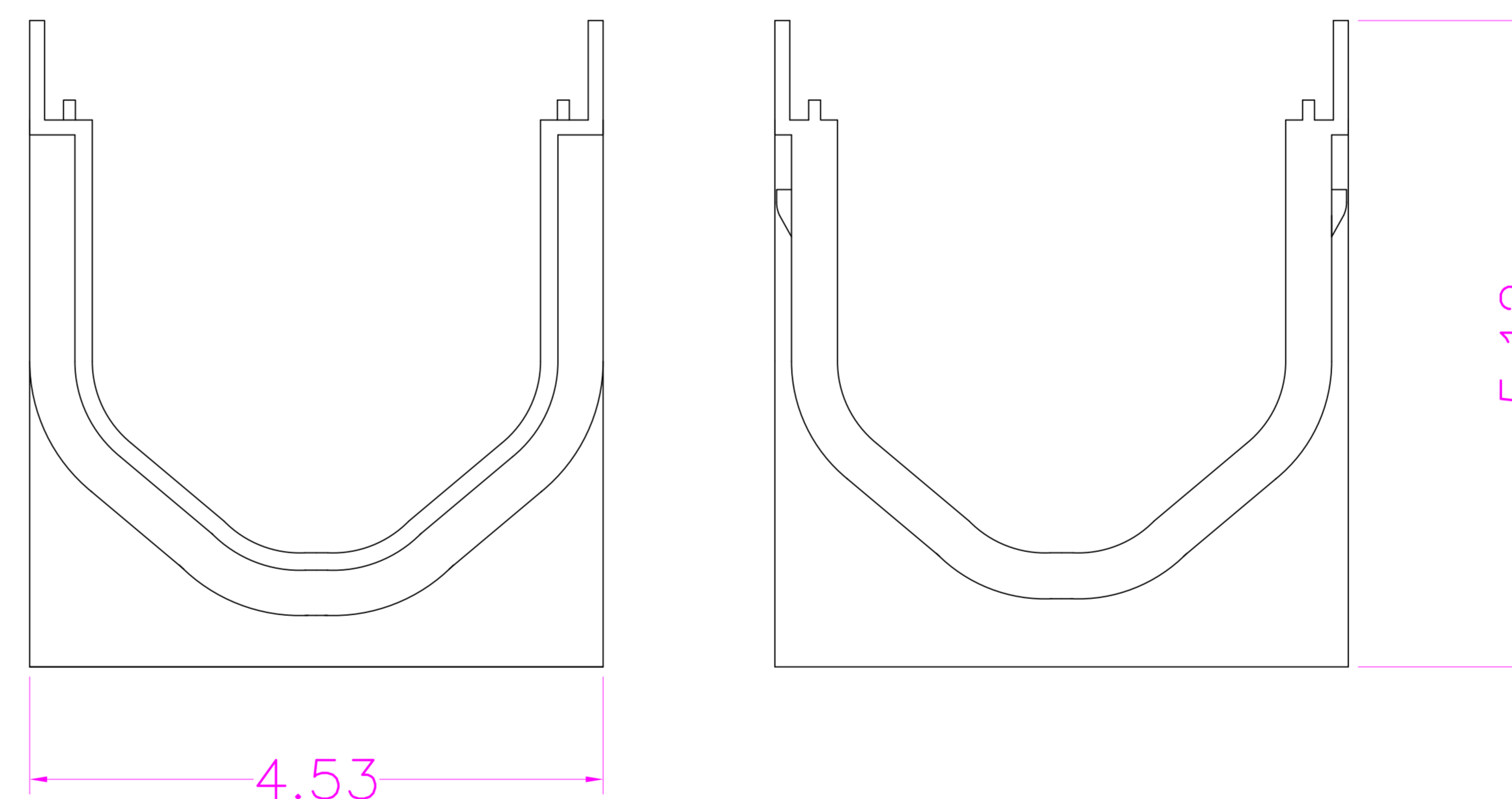
Bottom Outlet Connects To:

- 3" Sch 40
- 3" Corrugated
- 3" Sch 40 Hub
- 4" Triple Wall
- 4" Sch 40
- 4" SDR-35

Load Recommendation:

Class B

- Loads of 61-175 psi.
- Recommended for medium-duty pneumatic tire traffic, autos & light truck at speeds less than 20 mph.

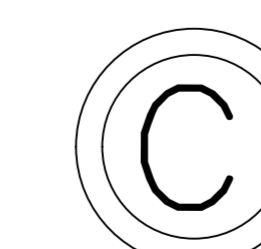


Install in concrete min. 4" all sides depth of channel

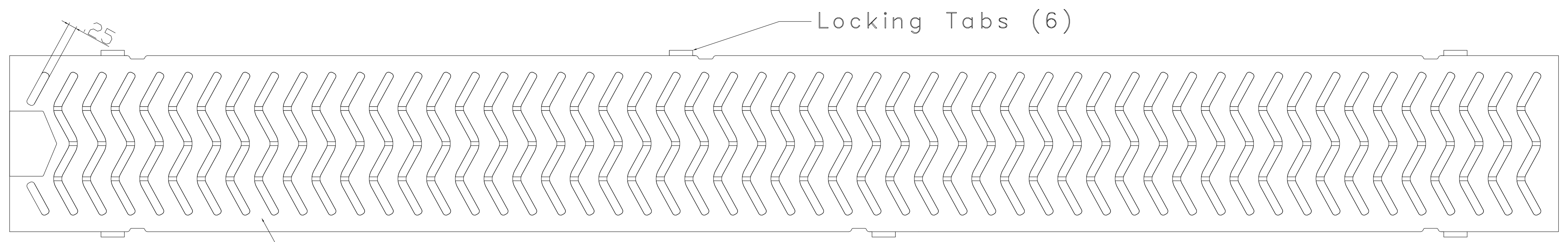
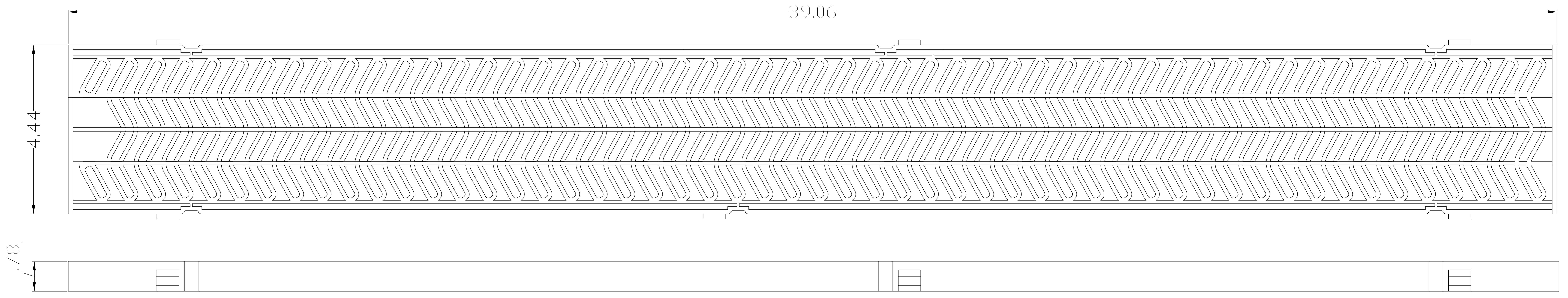
NOTES:  
MATERIAL: POLYPROPYLENE COPOLYMER  
TOLERANCES: AS INDICATED  
MARKING:  
DIMENSIONS: ALL INCHES UNLESS STATED.

Part No: FSDP-CH  
Description:  
'STORMDRAIN PLUS'  
CHANNEL

Drawn By: T. OISTAD  
Date: 06/11/2013

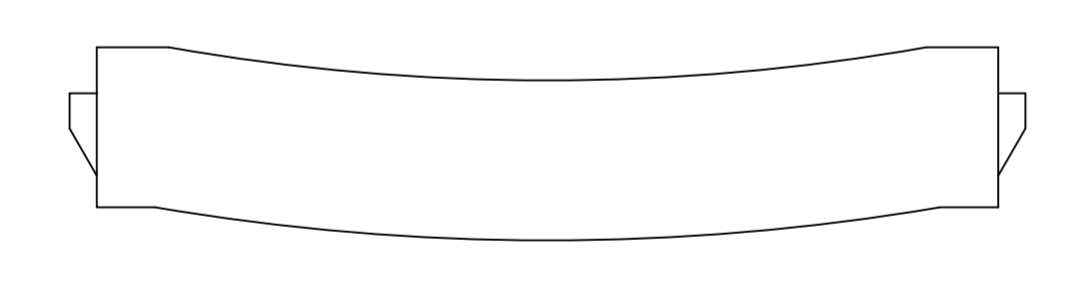


300 S. DAYTON STREET  
DAVISON, MI 48423 USA  
www.fernco.com



Load Recommendation:

- Class B
- Loads of 61-175 psi.
  - Recommended for medium-duty pneumatic tire traffic, autos & light truck at speeds less than 20 mph.



- Textured surface
- Heel Guard
- ADA Compliant

**NOTES:**  
 MATERIAL: POLYPROPYLENE COPOLYMER  
 TOLERANCES: AS INDICATED.  
 MARKING: AS SHOWN ON DRAWING  
 DIMENSIONS: ALL INCHES UNLESS STATED

Part No: FSDP-GG  
 Description:  
 'STORMDRAIN PLUS'  
 GRATE  
 Drawn By: T. OISTAD  
 Date: 06/11/2013

**Ferrico**  
 Inc.  
 300 S. DAYTON STREET  
 DAVISON, MI 48423 USA  
 www.ferrico.com